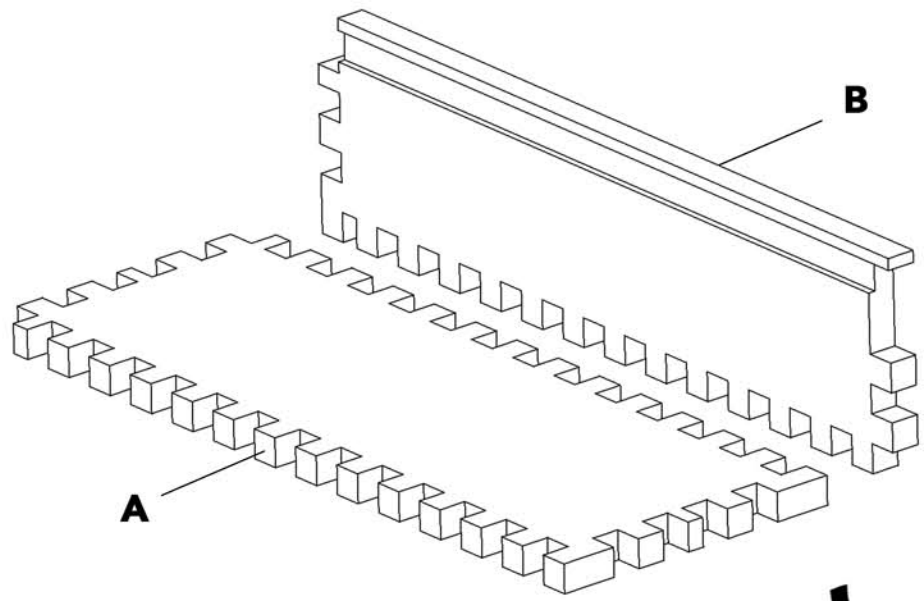
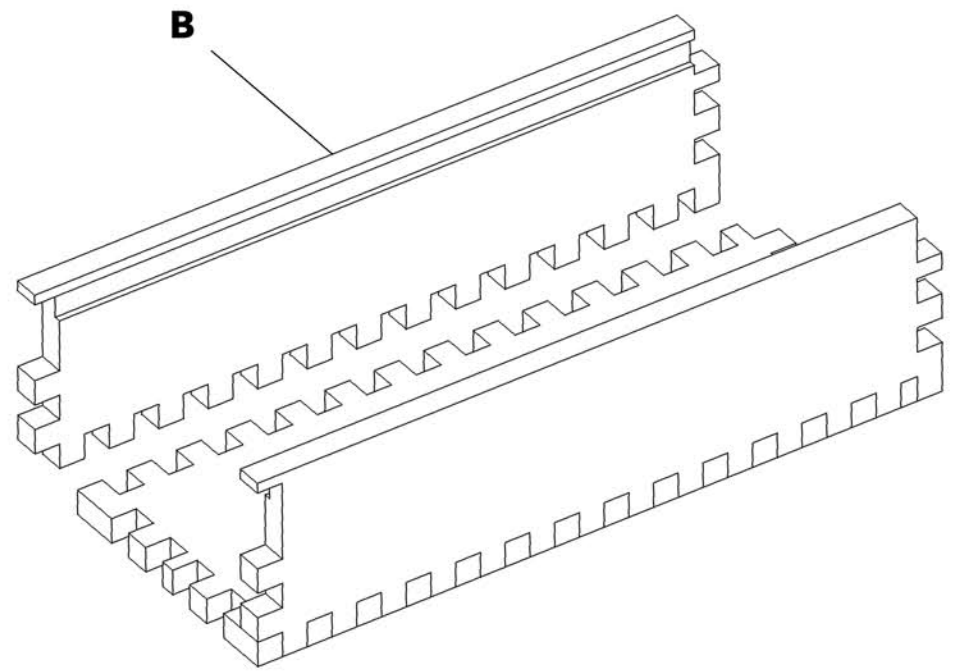


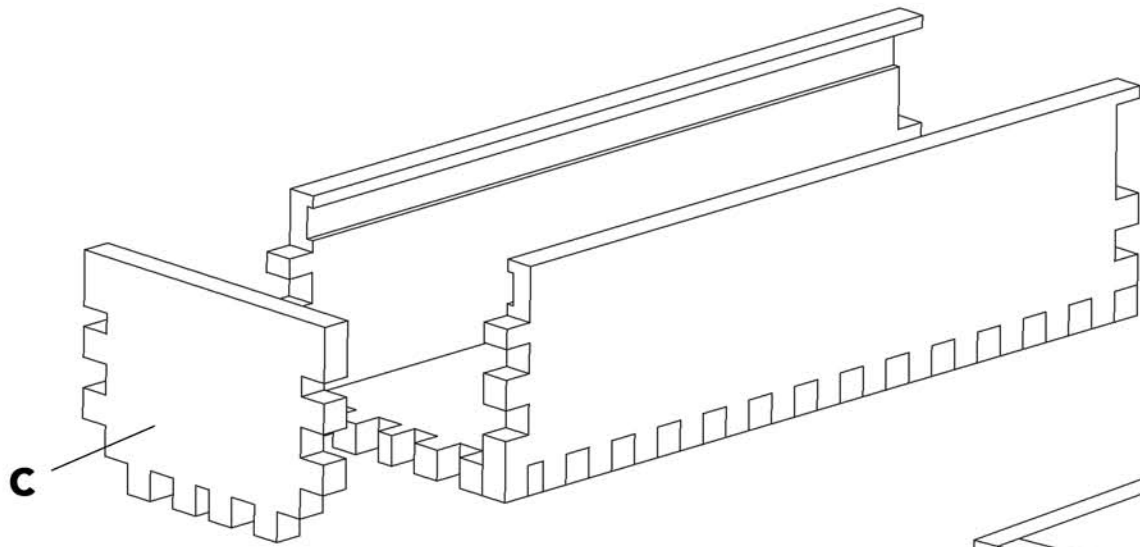
# Dominoes Box Instructions



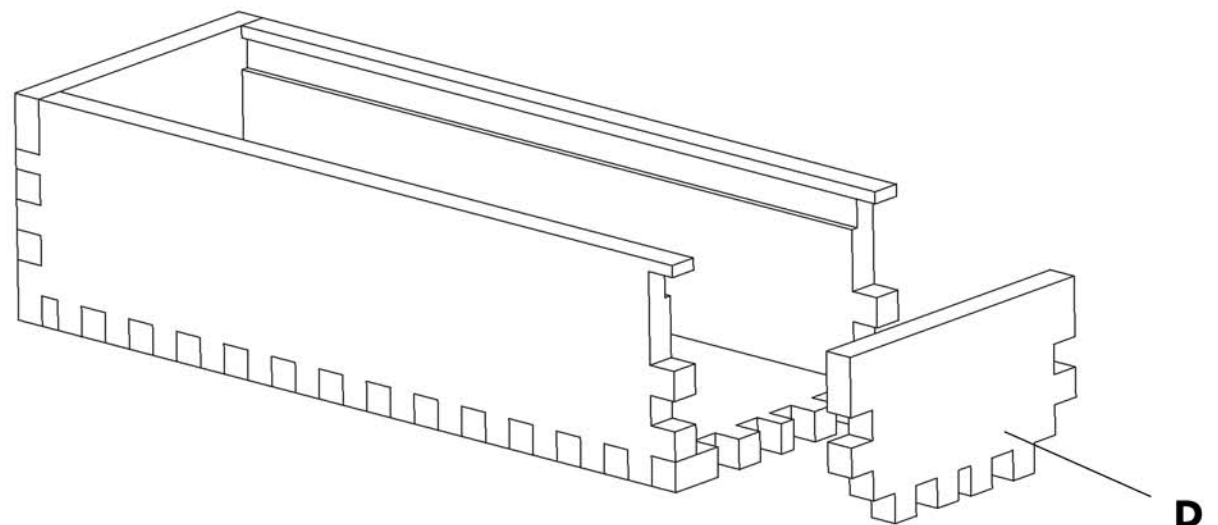
1. Slot piece B onto piece A.



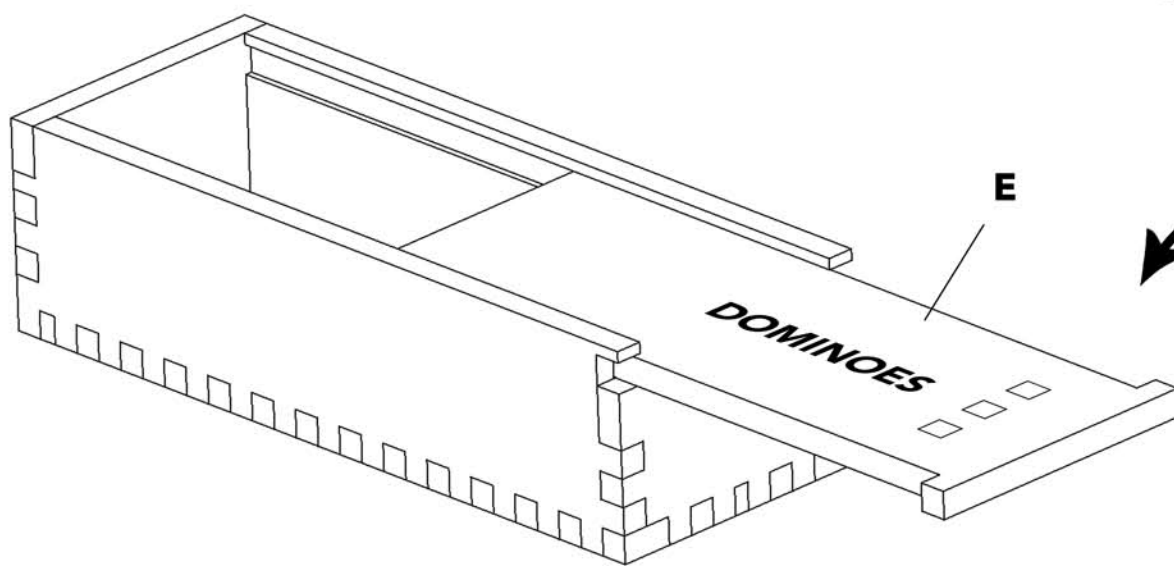
2. Slot the other B piece onto piece A.



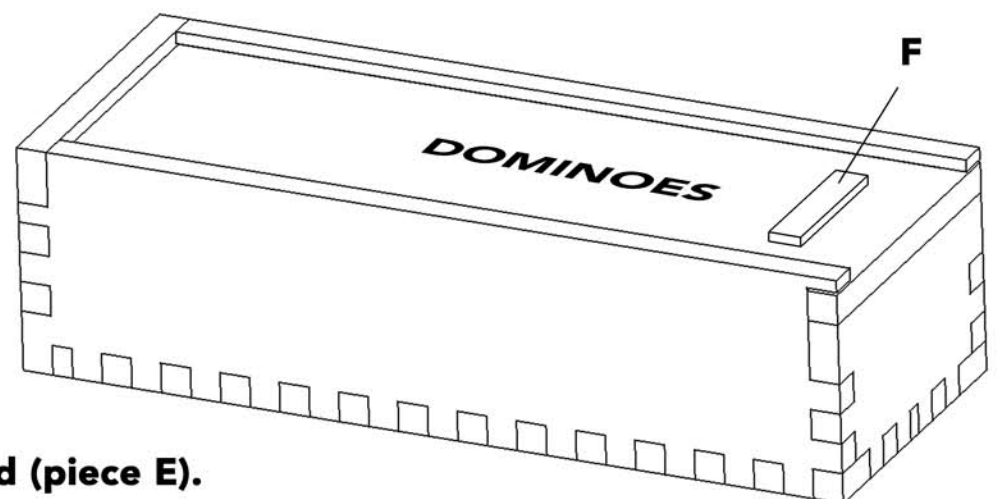
3. Slot piece C onto pieces A & B.



4. Slot piece D onto pieces A & B.



5. Slide the lid (piece E) into the grooves of both B pieces.



6. Slot the handle (piece F) into the lid (piece E).  
The dominoes box is complete.